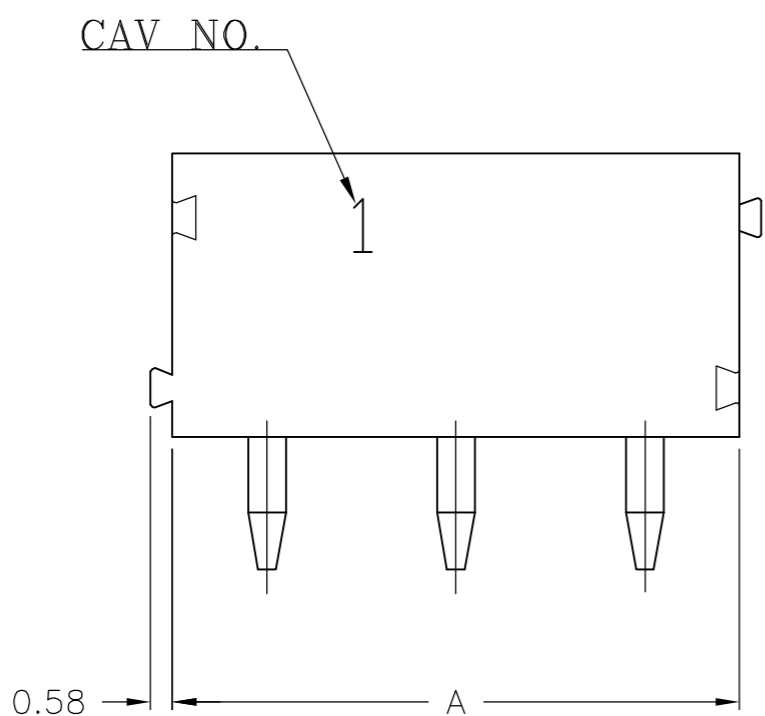
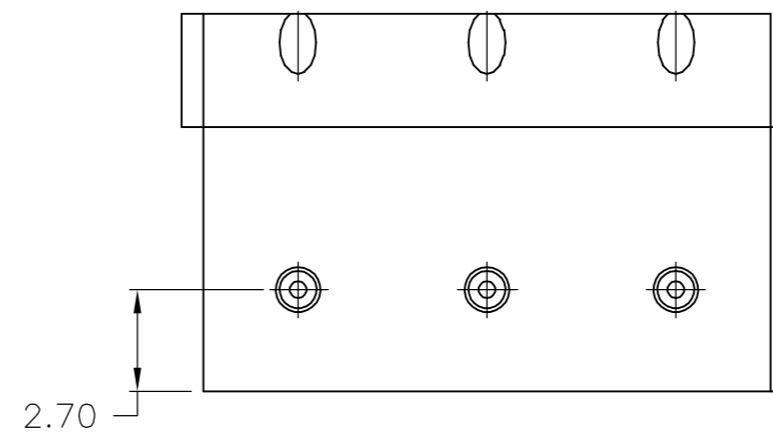
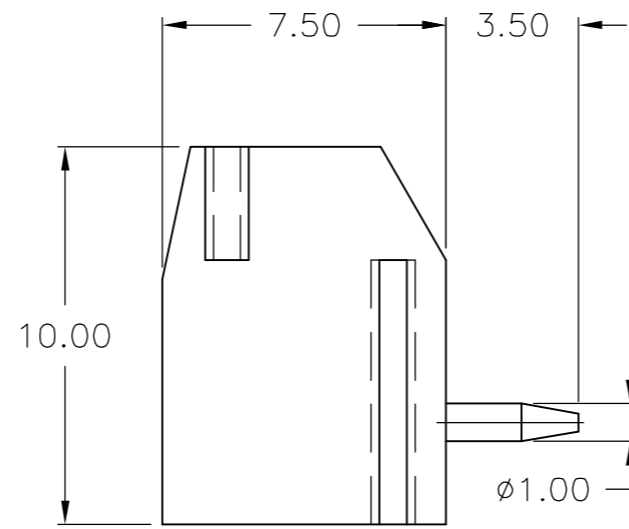
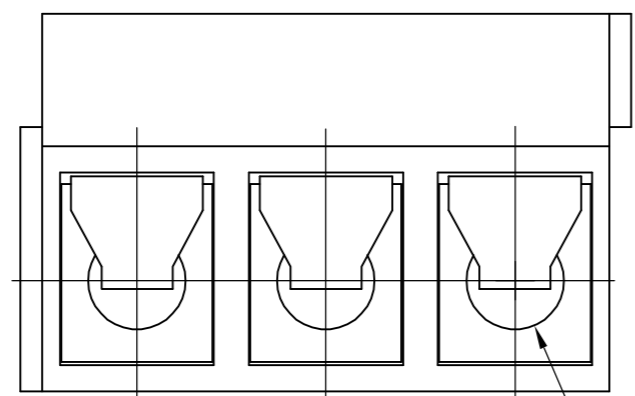
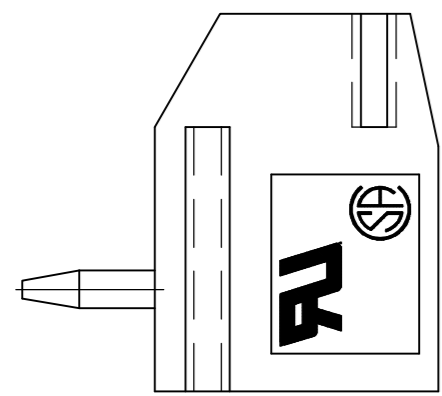
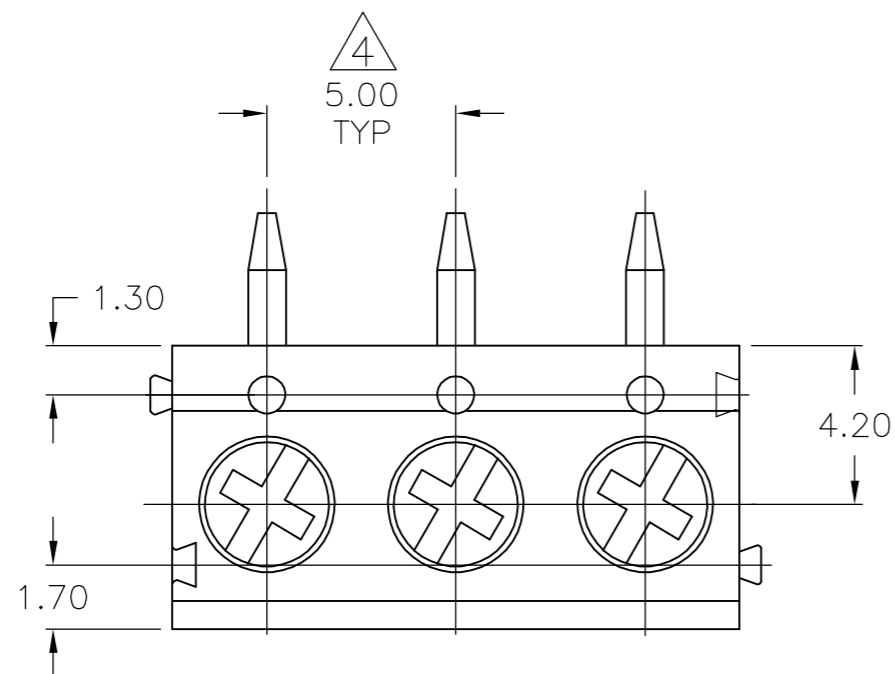


THIS DRAWING IS UNPUBLISHED. RELEASED FOR PUBLICATION
 © COPYRIGHT BY TYCO ELECTRONICS CORPORATION. ALL RIGHTS RESERVED.

| Loc | | DIST | | REVISIONS | | | |
|-----|-----|--------------------------|--|-----------|-----|------|--|
| P | LTR | DESCRIPTION | | DATE | DWN | APVD | |
| 01 | | REVISED PER ECO-06-16790 | | 7/13/06 | SS | CR | |

1. ALL DIMENSIONS ARE IN mm'S.
 2. RECOMMENDED PCB HOLES DIAMETER: $\phi 1.20\text{mm}$ TO $\phi 1.40$.
 3. BUCHANAN LOGO TO APPEAR ON HOUSING LOCATION OPTIONAL WHERE SPACE PERMITS.
- \triangle NON CUMULATIVE



1776267-3 AS SHOWN

| | | |
|--------|-------------|-------------|
| 120.00 | 24 | 2-1776267-4 |
| 115.00 | 23 | 2-1776267-3 |
| 110.00 | 22 | 2-1776267-2 |
| 105.00 | 21 | 2-1776267-1 |
| 100.00 | 20 | 2-1776267-0 |
| 95.00 | 19 | 1-1776267-9 |
| 90.00 | 18 | 1-1776267-8 |
| 85.00 | 17 | 1-1776267-7 |
| 80.00 | 16 | 1-1776267-6 |
| 75.00 | 15 | 1-1776267-5 |
| 70.00 | 14 | 1-1776267-4 |
| 65.00 | 13 | 1-1776267-3 |
| 60.00 | 12 | 1-1776267-2 |
| 55.00 | 11 | 1-1776267-1 |
| 50.00 | 10 | 1-1776267-0 |
| 45.00 | 9 | 1776267-9 |
| 40.00 | 8 | 1776267-8 |
| 35.00 | 7 | 1776267-7 |
| 30.00 | 6 | 1776267-6 |
| 25.00 | 5 | 1776267-5 |
| 20.00 | 4 | 1776267-4 |
| 15.00 | 3 | 1776267-3 |
| 10.00 | 2 | 1776267-2 |
| DIM. A | NO. OF POS. | PART NUMBER |

| | | | | | |
|--|--|------------------|------------|--|---|
| THIS DRAWING IS A CONTROLLED DOCUMENT. | | DWN | S SCHLEGEL | 5/6/05 | Tyco Electronics Corporation Harrisburg, Pa 17105-3608 |
| DIMENSIONS: mm | | CHK | C RICHARD | 5/6/05 | |
| TOLERANCES UNLESS OTHERWISE SPECIFIED: | | APVD | C RICHARD | 5/6/05 | |
| 0 PLC ± - 1 PLC ± 0.3 2 PLC ± 0.25 3 PLC ± - 4 PLC ± - ANGLES ± - FINISH - | | PRODUCT SPEC | NAME | | |
| MATERIAL - | | APPLICATION SPEC | | TERMINAL BLOCK PCB MOUNT, TOP WIRE ENTRY, LOW PROFILE W/ INTERLOCK, 5.0mm PITCH, HIGH TEMP | |
| WEIGHT - | | SIZE | A2 | CAGE CODE | 00779 |
| CUSTOMER DRAWING | | DRAWING NO | C=1776267 | | RESTRICTED TO |
| SCALE 4:1 | | SHEET | 1 | OF | 2 |
| REV | | 01 | | | |

THIS DRAWING IS UNPUBLISHED. RELEASED FOR PUBLICATION
 © COPYRIGHT BY TYCO ELECTRONICS CORPORATION. ALL RIGHTS RESERVED.

| LOC | DIST | REVISIONS | | | |
|-----|------|-------------|------|-----|------|
| P | LTR | DESCRIPTION | DATE | DWN | APVD |
| FT | 0 | SEE SHEET 1 | - | - | - |

1. Application and Features:

- 1-1. Standard sizes are 2 and 3 way-blocks, but every number of contact can be combined, by simply plugging them together and can be ordered as required**
- 1-2. With wire guard for wire protection (for that the screw doesn't press directly on the wire)

2-3. Mechanical:

- 2-3-1. Torque: 4 Kg.cm (Max).
- 2-3-2. Operating temperature: -55°C to +105°C.
- 2-3-3. Solderability: 95% coverage (min).


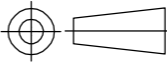
2. Technical Data:

2-1. Material:

- 2-1-1. HOUSING: NYLON 6.6, UL 94 V-0 (Green).
- 2-1-2. Metal Housing: Brass(Cu Zn)
Cu,Tin plated.
- 2-1-3. Wire guard: Stainless steel.
- 2-1-4. Screw: Steel galvanized and chromitized, M2.6

2-2. Electrical:

- 2-2-1. Current rating: 10 Amps/way max.
- 2-2-2. Contact resistance: 20mΩ (Max).
- 2-2-3. Insulation resistance: 5000MΩ /1000V.
- 2-2-4. Withstanding Voltage: 1500VAC (1min).
test time =60sec/1pcs
- 2-2-5. Operation Voltage: 300 VAC.
- 2-2-6. Wire Range: 14-22 AWG.

| | | | | | |
|---|--|------------------|------------|---|---|
| THIS DRAWING IS A CONTROLLED DOCUMENT. | | DWN | S SCHLEGEL | 5/6/05 |  Tyco Electronics Corporation Harrisburg, Pa 17105-3608 |
| DIMENSIONS: mm | | CHK | C RICHARD | 5/6/05 | |
|  | | APVD | C RICHARD | 5/6/05 | |
| TOLERANCES UNLESS OTHERWISE SPECIFIED: | | PRODUCT SPEC | | NAME | |
| 0 PLC ± - | | APPLICATION SPEC | | TERMINAL BLOCK PCB MOUNT, TOP WIRE ENTRY, LOW PROFILE W/ INTERLOCK, 5.0mm PITCH HIGH TEMP | |
| 1 PLC ± 0.3 | | WEIGHT | | SIZE | |
| 2 PLC ± 0.25 | | - | | CAGE CODE | |
| 3 PLC ± - | | - | | DRAWING NO | |
| 4 PLC ± - | | - | | RESTRICTED TO | |
| ANGLES ± - | | - | | A2 00779 C=1776267 | |
| FINISH | | - | | SCALE | |
| - | | - | | 4:1 | |
| - | | - | | SHEET | |
| - | | - | | 2 OF 2 | |
| - | | - | | REV | |
| - | | - | | 01 | |
| - | | - | | CUSTOMER DRAWING | |

1776267

B

A